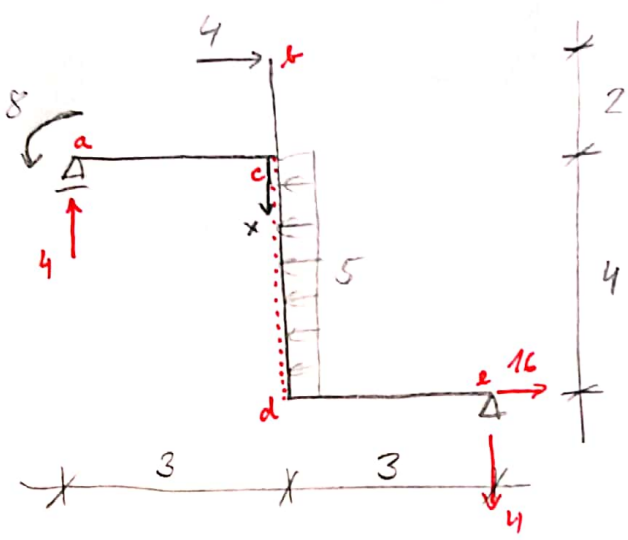


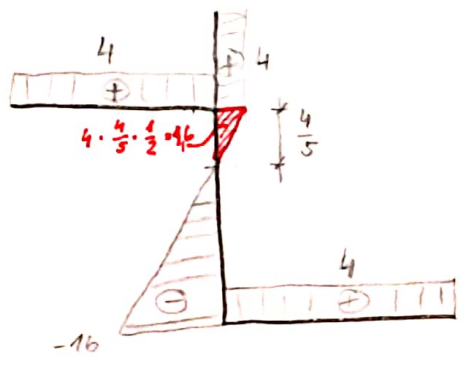
LOMENE' NOSNI'KY



(N)

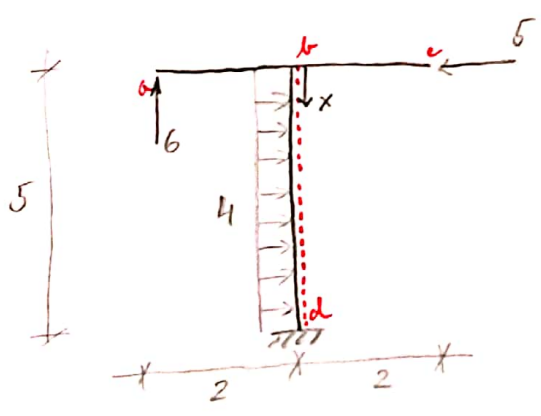
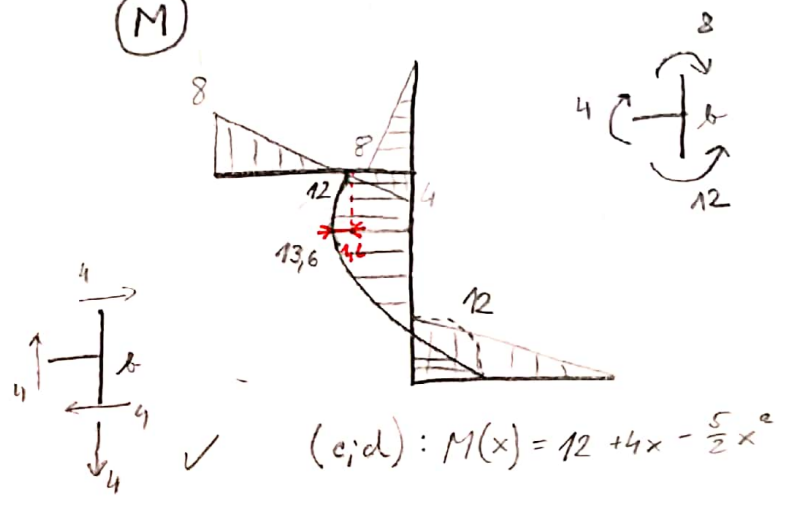


(V)

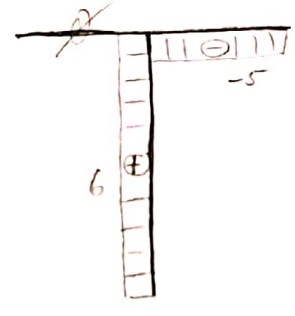


(c,d):  $V(x) = 4 - 5x$

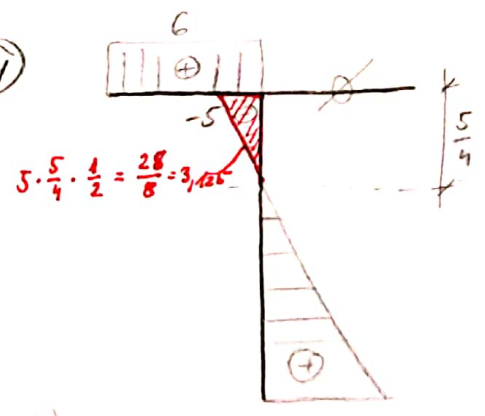
(M)



(N)



(V)



(k,d):  $V(x) = -5 + 4x$

(M)

